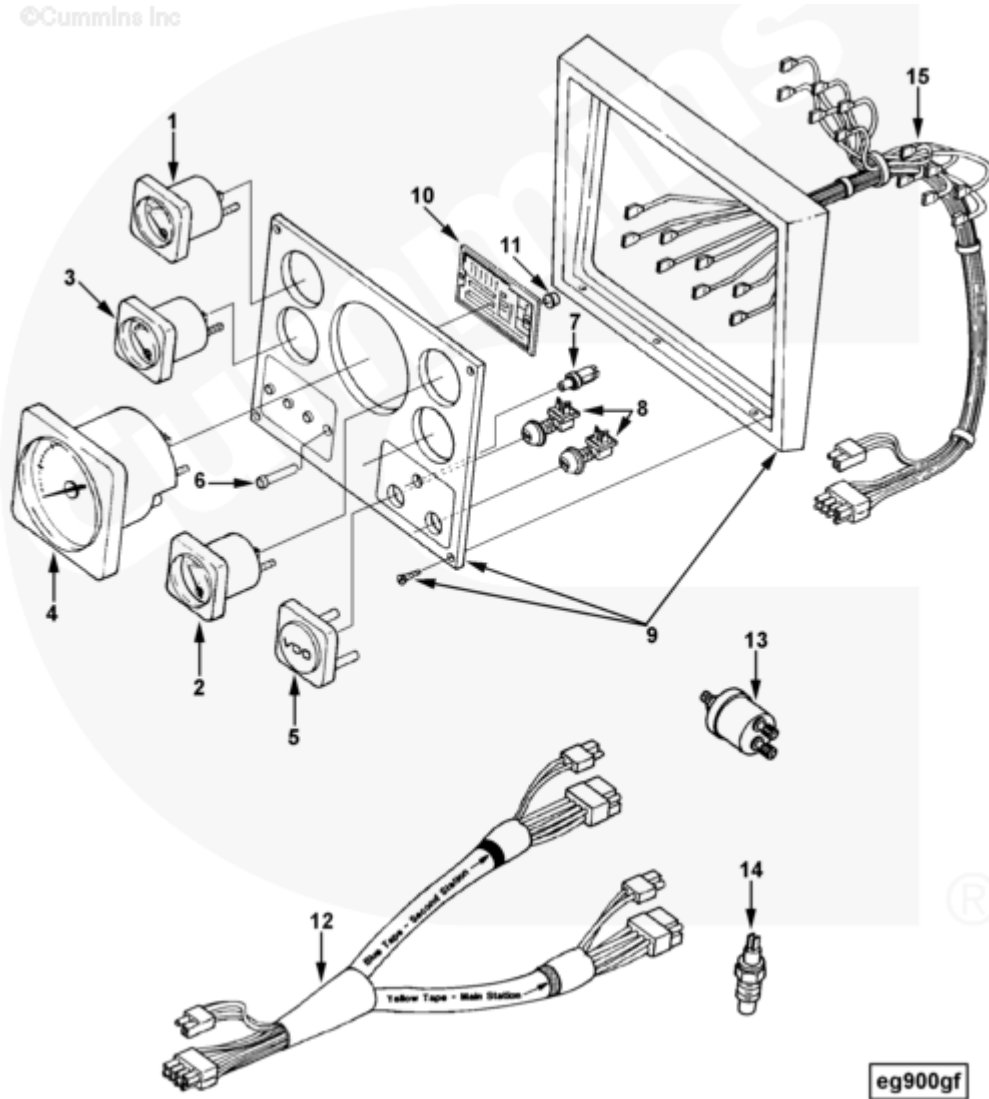




Parts Catalog - Option Detail

Electronic Parts Catalog - Option Detail				
Option	Group	Graphic	Film Card	Date
EG9066	15.08	eg900gf	T	05-JUN-89
Engines	4B3.9, 6A3.4, 6B5.9, B GAS INTERNATIONAL CM556, B4.5, B4.5 CM2350 B129B, B4.5 CM2350 B146C, B4.5 CM2350 B147B, B4.5 RGT, B4.5S, B5.9 G, B5.9 GAS PLUS CM556, B5.9 LPG, B5.9 LPG PLUS CM556, B6.7 CM2350 B121B, B6.7 CM2350 B135B, B6.7 CM2350 B136C, B6.7 CM2350 B148B, B6.7 G CMOH6.0 B125, B6.7N CM2380 B150B, B6.7S, F3.8 CM2350 F120B, F3.8 CM2350 F128C, F3.8 CM2350 F132B, F3.8 F102, G3.9, G5.9, G5.9 CM558, ISB (CHRYSLER), ISB CM2150, ISB CM2150 E, ISB CM550, ISB CM850, ISB/ISD4.5 CM2150 B119, ISB/ISD4.5 CM2150 SN, ISB/ISD6.7 CM2150 B120, ISB/ISD6.7 CM2150 SN, ISB/ISD6.7 CM2880 B126, ISB3.9 CM2220 B107, ISB4.5 CM2150, ISB5.9G CM2180, ISB6.7 2010 DCX PICKUP, ISB6.7 2013 DCX CHASSIS CAB, ISB6.7 CM2150 SQ, ISB6.7 CM2250, ISB6.7 CM2350 B101, ISB6.7 CM2350 B103, ISB6.7 CM2350 B142, ISB6.7 CM2670 B153B, ISB6.7 G CM2180 B118, ISBE CM2150, ISBE CM800, ISBE2/ISBE3 CM850, ISBE4 CM850, ISD4.5 CM2150, ISD6.7 CM2880 D101, ISF2.8 CM2220, ISF2.8 CM2220 AN, ISF2.8 CM2220 EC, ISF2.8 CM2220 ECF2, ISF2.8 CM2220 F101, ISF2.8 CM2220 F117, ISF2.8 CM2220 F122, ISF2.8 CM2220 F126, ISF2.8 CM2220 F129, ISF2.8 CM2220 IAN, ISF3.8 CM2220, ISF3.8 CM2220 AN, ISF3.8 CM2220 F103, ISF3.8 CM2220 F110, ISF3.8 CM2220 F116, ISF3.8 CM2220 F134B, ISF3.8 CM2220 IAN, ISF3.8 CM2350 F109, ISF4.5 CM2220 F123, ISG11 CM2880 G106, ISG11 CM2880 G108, ISG12 CM2880 G107, ISG12 CM2880 G109, ISG12 G CMOH6.0 G111, QSB3.9 30 CM550, QSB3.9 CM2880 B138, QSB4.5 30 CM550, QSB4.5 CM2150 B108, QSB4.5 CM2250 B131, QSB4.5 CM2250 EC, QSB4.5 CM2350 B106, QSB4.5 CM2350 B122			



eg900gf

SMALL | MEDIUM | LARGE

Cart	Ref No	Part Number	Part Description	Required	Remarks
View My Cart					
		EG9066	Engine Instrument Panel		12V second station premium...(More)
					instrument panel. Option
					includes VDO premium gauges -
					tachometer, engine oil
					pressure gauge, engine water
					temperature, volt meter and a
					blank gauge to be replaced by
					customer supplied gauge if
					desired. Option also
					includes modules (visual and

					audio) for low volt, high
					water temperature, low oil
					pressure and water in fuel,
					the instrument panel
					pre-wired and Y-connector.
					This option is supplied in a
					kit.
<input type="checkbox"/>		3913595	Instrument Panel		
<input type="checkbox"/>	1	3913607	Pressure Gauge	1	0 - 150 PSI
<input type="checkbox"/>	2	3913605	Temperature Gauge	1	120 degrees C (250 degrees F)
<input type="checkbox"/>	3	3913609	Volt Gauge	1	8 - 16 volts
<input type="checkbox"/>	4	3913613	Tachometer Gauge	1	0 - 4000 RPM Tach-Hour
<input type="checkbox"/>	5	3913621	Blank Gauge	1	
<input type="checkbox"/>	6	3913617	Visual Alarm	4	Visual Alarm Lights
<input type="checkbox"/>	7	3913624	Alarm Reset Switch	1	Alarm Reset Button
<input type="checkbox"/>	8	3913633	Ignition Switch	1	Red boot push button for stop
					black boot push button for
					start.
<input type="checkbox"/>	9	3913665	Instrument Panel	1	Face Panel, 4 screws & shroud
<input type="checkbox"/>	10	3913622	Control Module Alarm	1	
<input type="checkbox"/>	11	3913619	Howler Alarm	1	Buzzer Alarm Songlert
<input type="checkbox"/>	12	3913604	Wiring Harness	1	Y-Connector
<input type="checkbox"/>	13	3913616	Transducer	1	Oil Pressure Sender
<input type="checkbox"/>	14	3914081	Transducer	1	Water Temperature Sender
<input type="checkbox"/>	15	3914087	Wiring Harness	1	For Gauges & Electronic
					module.
<input type="checkbox"/>		3918205	Light Bulb	1	12V